

**m<sup>3</sup>ARX™**  
Attack Resistance X-tended

# PRODUCT CATALOGUE

## 2016

---

Key and cylinder products with a difference

---

**CHARNLEY**  
SECURITY • SERVICES

# Introduction



The term **m<sup>3</sup>ARX** refers to the pin mechanism contained within the locks shown in this catalogue.

Choosing **m<sup>3</sup>ARX** assures the client with the best possible defence against all known forms of surreptitious attack.

Locks are normally supplied with 2 keys as standard, other options are available upon request.

The finish of the locks illustrated is standard supply, other finishes are available.

Accreditation of the locks/padlocks is available upon request



Charnley Security Services are proud to be the UK based supplier of **m<sup>3</sup>ARX**. The extensive knowledge in both locks and security practices makes us the perfect partner to support a mechanism of this type.

For any further information you may require, please email [sales@charnley.plus.com](mailto:sales@charnley.plus.com) or call +44 [0]191 2682202

## Acknowledgements

Front Cover Picture taken by Peter Field. Charnley Security Services wishes to acknowledge the support of Medeco International for their excellent and relentless support in providing a swift, professional service.

Charnley Security Services also wish to acknowledge Claus B Clausen for his support.

# Index



Rim Cylinders — — — — — 1



Threaded Cylinders — — — — — 2



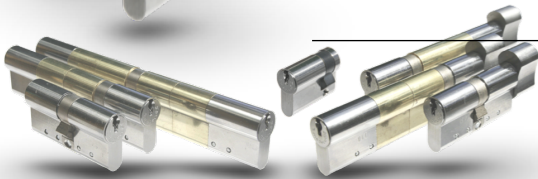
Scandinavian Cylinders — — — — — 3



“Ingersoll” Cylinder — — — — — 5



Euro Cylinders — — — — — 6



9



G8R Padlock Range — — — — — 15



Puck Padlock — — — — — 16



Squire ARX Range — — — — — 17



Self Contained Range — — — — — 19



Key Information — — — — — 22

# Rim Cylinders

1

**Finish;** Satin Brushed Chrome [26]

**Material;** Machined Brass

**Format;** 5 pin Sub-assembled type

**Part Number;** Rim-001 -26

**Variants;** Extended tail; Rim-002 -26\*

\* Other lengths available upon request

\* Carbide Anti-drill inserts; Special Order

**Supplied with as standard;**

2 x fixing screws (US Thread)

Back Plate

Raised Escutcheon Ring

2 x Small format keys, to a random code

Key code card [for additional key ordering if required]

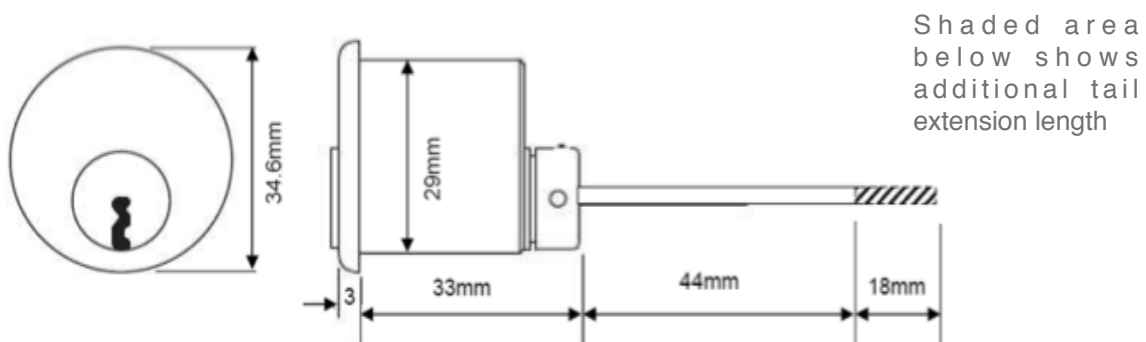
**Keying Options;**

**Keyed Alike;** where two or more Rims are keyed to the same pin combination

**Master Keyed;** as part of a Master Key suite, supplied with 2 differ keys

**Pinned;** Pinned to an existing combination, no keys required

## Technical Dimensions



Shaded area below shows additional tail extension length

**Finish;** Satin Brushed Chrome [26]

**Material;** Machined Brass

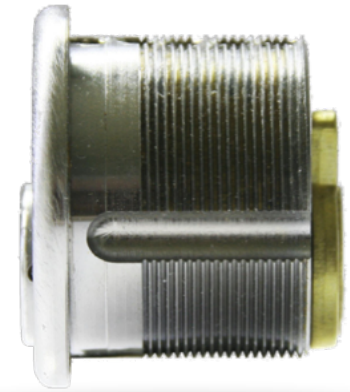
**Format;** 5 pin; Thread; Std brass

**Part Number;** TM-001 -26

**Variants;** Sizes See Below

Carbide Anti-drill; Special Order

Cams; Standard Adams Rite™ many others available



**Supplied with as standard;**

2 x Small format keys, to a random code

Key code card [for additional key ordering if required]

**Keying Options;**

**Keyed Alike;** where two or more Cylinders are pinned to the same pin combination

**Master Keyed;** as part of a Master Key suite, supplied with 2 differ keys

**Pinned;** Pinned to an existing combination, no keys required

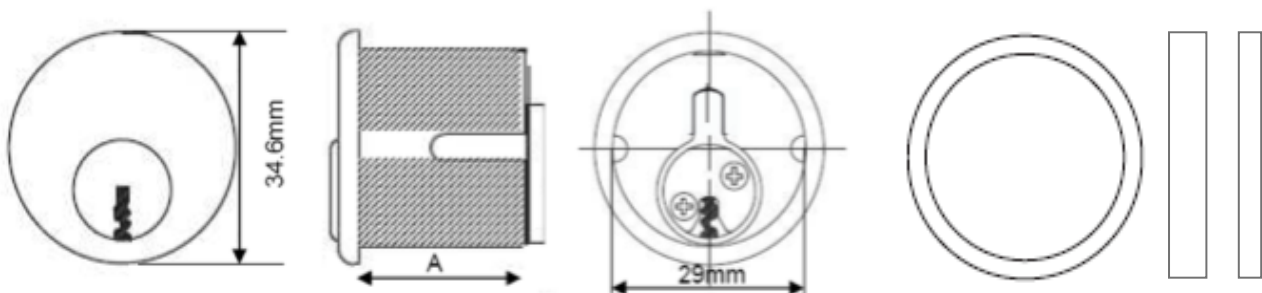
## Technical Dimensions

Shown below, Length A =29mm

Other lengths available in 3mm increments up to 64mm

Shown below, Spacer Rings

3mm or 6mm in thickness



**Finish;** Satin Brushed Chrome [26]

**Material;** Machined Brass

**Format;** 5 pin (6 pin shell)

**Part Number;** AO-001 -26 (External)

**Variants;** Internal; Rim Tail; Rounds;  
Carbide Anti-drill inserts, Special Order



**Supplied with as standard;**

2 x Small format keys, to a random code

Key code card [for additional key ordering if required]

Keyed in Pairs [External and Internal] C/W 2 Keys

Internal; AI-001

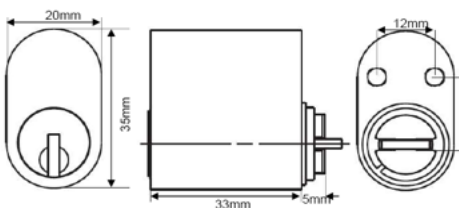
**Keying Options;**

**Keyed Alike;** where two or more Cylinders are pinned to the same pin combination

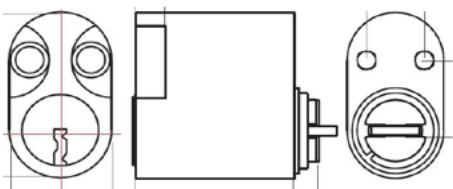
**Master Keyed;** as part of a Master Key suite, supplied with 2 differ keys

**Pinned;** Pinned to an existing combination, no keys required

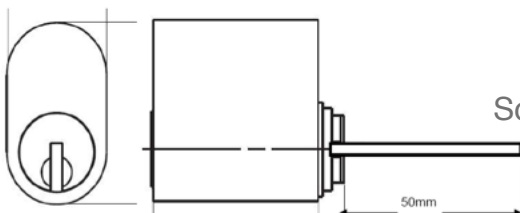
## Technical Overview



Scandinavian External Oval; Part# AO-001



Scandinavian Internal Oval; Part# AI-001



Scandinavian External Oval Rim; Part# ATO-001

**Finish;** Satin Brushed Chrome [26]

**Material;** Machined Brass

**Format;** 5 pin (6 pin shell)

**Part Number;** ARO-001 -26 (External)

**Variants;** Internal; Carbide Anti-drill Inserts, Special Order



**Supplied with as standard;**

2 x Small format keys, to a random code

Key code card [for additional key ordering if required]

Keyed in Pairs [External and Internal] C/W 2 Keys

**Keying Options;**

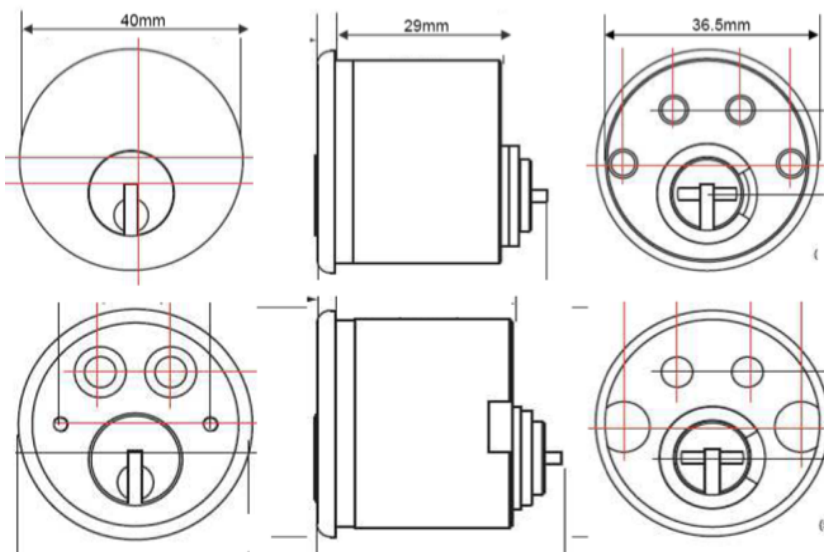
**Keyed Alike;** where two or more Cylinders are pinned to the same pin combination

**Master Keyed;** as part of a Master Key suite, supplied with 2 differ keys

**Pinned;** Pinned to an existing combination, no keys required

## Technical Dimensions

[The Round cylinders use the addition of the rose fixing points to increase fixing stability; 4 instead of 2 points used in the Oval cylinders]



Scandinavian Round  
External – part# ARO-001

Scandinavian Round  
Internal – part# ARI-001

**Finish;** Polished

**Material;** Solid Stainless Steel

**Format;** 5 pin

**Part Number;** ING-001 -26

**Supplied with as standard;**

3 x fixing screws (Metric Thread)

2 x Small format keys, to a random code

Key code card [for additional key ordering if required]



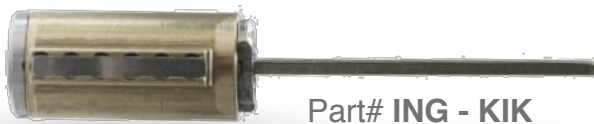
**Keying Options;**

**Keyed Alike;** where two or more Cylinders are pinned to the same pin combination

**Master Keyed;** as part of a Master Key suite, supplied with 2 differ keys

**Pinned;** Pinned to an existing combination, no keys required

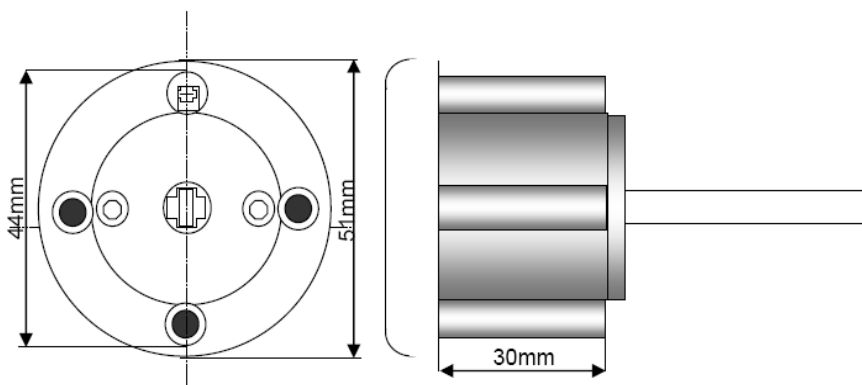
## Replacement Key Unit



Part# ING - KIK

Ingersoll Key Unit can be supplied, keyed as above to swap out when keys are compromised etc

## Technical Dimensions



This Replacement Cylinder is designed to easily retrofit an existing installation; it uses the same fixing centres and central Tail alignment.



# Half Euro Cylinders

6

**Finish;** Satin Brushed Chrome [26]

**Material;** Machined Brass

**Format;** 5 pin Sub-assembled Type

**Part Number;** 42SE -26

**Variants;** See Sizes Below.

Carbide Anti-drill Inserts, Special Order

**Also Known As;** Single Euro; Half Euro



**Supplied with as standard;**

2 x Small format keys, to a random code

Key code card [for additional key ordering if required]

**Keying Options;**

**Keyed Alike;** where two or more Cylinders are pinned to the same pin combination

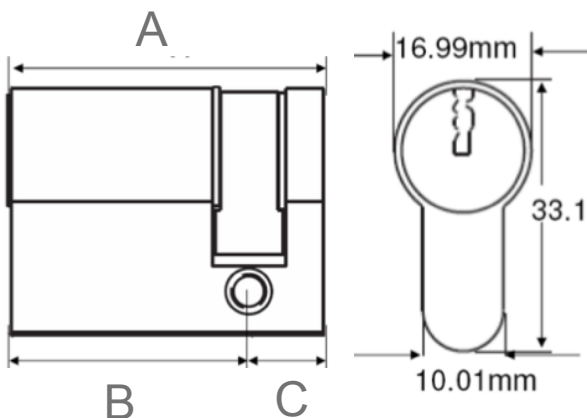
**Master Keyed;** as part of a Master Key suite, supplied with 2 differ keys

**Pinned;** Pinned to an existing combination, no keys required

**Notes;** The Euro Half is supplied with an indexing cam which can be set at 1 of 12 optional positions; [press in the rear of the cylinder to rotate the cam to a new position]



## Technical Dimensions



A = the overall length

B = the key unit length

C = the cam support length

A	B	C
42mm	32mm	10mm
47mm	37mm	10mm
52mm	42mm	10mm
57mm	47mm	10mm
62mm	52mm	10mm
67mm	57mm	10mm
72mm	62mm	10mm
77mm	67mm	10mm
82mm	72mm	10mm
87mm	77mm	10mm

# Euro Thumb-turn Cylinders

**Finish;** Satin Brushed Chrome [26]

**Material;** Machined Brass

**Format;** 5 pin Sub-assembled Type

**Part Number;** 32/32 ETT -26

**Variants;** See **Size Chart** Below

**Also Known As;** Key & Thumbturn;

**Supplied with as standard;**

2 x Small format keys, to a random code

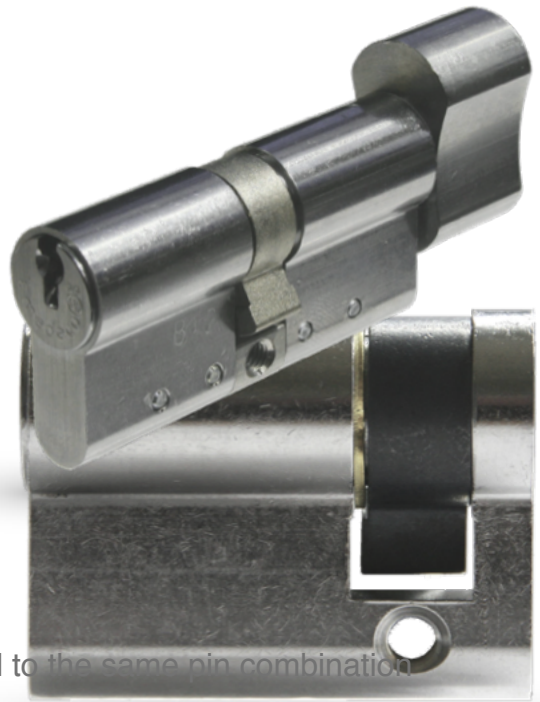
Key code card [for additional key ordering if required]

**Keying Options;**

**Keyed Alike;** where two or more Cylinders are pinned to the same pin combination

**Master Keyed;** as part of a Master Key suite, supplied with 2 differ keys

**Pinned;** Pinned to an existing combination, no keys required

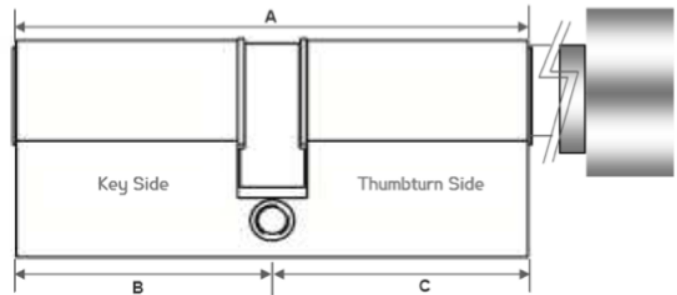


## Technical Dimensions

A = the overall length

B = the key unit length one side

C = Thumb unit length the other side



The **Size Chart** below shows the sizes available; first select the key unit size required, then the Thumbturn size which will show the resulting overall length. The cylinders can have a long lead times when longer lengths are required.

		Side C: Thumbturn Unit Side											
Size mm		32	37	42	47	52	57	62	67	72	77	82	87
Side B: Key Unit Side	32	64	69	74	79	84	89	94	99	104	109	114	119
	37	69	74	79	84	89	94	99	104	109	114	119	124
	42	74	79	84	89	94	99	104	109	114	119	124	129
	47	79	84	89	94	99	104	109	114	119	124	129	134
	52	84	89	94	99	104	109	114	119	124	129	134	139
	57	89	94	99	104	109	114	119	124	129	134	139	144
	62	94	99	104	109	114	119	124	129	134	139	144	149
	67	99	104	109	114	119	124	129	134	139	144	149	154
	72	104	109	114	119	124	129	134	139	144	149	154	159
	77	109	114	119	124	129	134	139	144	149	154	159	164
	82	114	119	124	129	134	139	144	149	154	159	164	169
	87	119	119	129	134	139	144	149	154	159	164	169	174

# Double Euro Cylinders

**Finish;** Satin Brushed Chrome [26]

**Material;** Machined Brass

**Format;** 5 pin Sub-assembled Type

**Part Number;** 32/32 ET -26

**Variants;** See Sizes Below;

Carbide Anti-drill, Special order

**Also Known As;** Euro Twin; Key/Key

**Supplied with as standard;**

2 x Small format keys, to a random code

Key code card [for additional key ordering if required]

**Keying Options;**

**Keyed Alike;** where two or more Cylinders are pinned to the same pin combination

**Master Keyed;** as part of a Master Key suite, supplied with 2 differ keys

**Pinned;** Pinned to an existing combination, no keys required

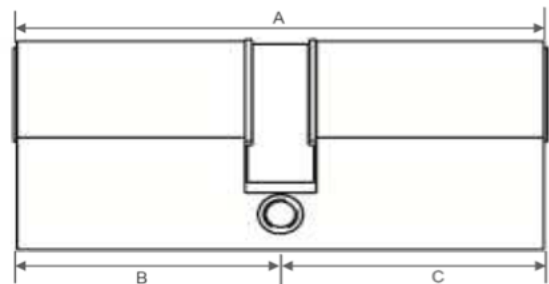


## Technical Dimensions

A = the overall length

B = the key unit length one side

C = the key unit length the other side



A	Options	B/C	
64	1	32:32	
69	1	32:37	
74	2	32:42	37:37
79	2	32:47	37:42
84	3	32:52	37:47 42:42
89	3	32:57	37:52 42:47
94	4	32:62	37:57 42:52 47:47
99	4	32:67	37:62 42:57 47:52
104	5	32:72	37:67 42:62 47:57 52:52
109	5	32:77	37:72 42:67 47:62 52:57
114	6	32:82	37:77 42:72 47:67 52:62 57:57
119	6	32:87	37:82 42:77 47:72 52:67 57:62
124	7	32:92	37:87 42:82 47:77 52:72 57:67 62:62
129	6	37:92	42:87 47:82 52:77 57:72 62:67
134	6	42:92	47:87 52:82 57:77 62:72 67:67
139	5	47:92	52:87 57:82 62:77 67:72
144	5	52:92	57:87 62:82 67:77 72:72
149	4	57:92	62:87 67:82 72:77
154	4	62:92	67:87 72:82 77:77
159	3	67:92	72:87 77:82
164	2	72:92	77:87 82:82
169	2	77:92	82:87
174	2	82:92	87:87
179	1	87:92	
184	1	92:92	

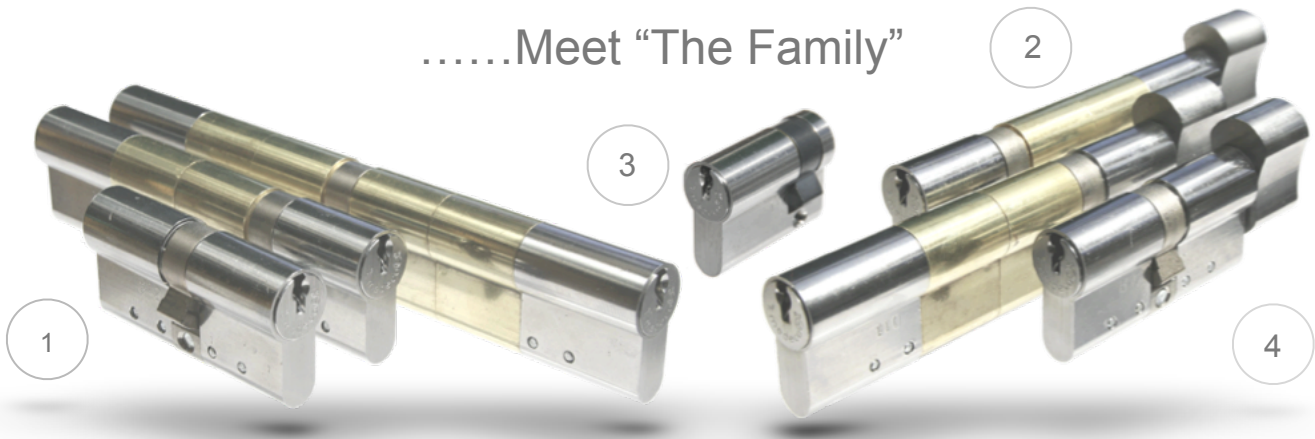
Sizes are in Millimetres

In the table opposite; select size "A" then select which permutation is required "B/C"

# Modular Euro Cylinders

9

.....Meet "The Family"



An immediate solution to Euro Profile Cylinder requirements is the Modular "family". Made up from component parts, any size or configuration can be assembled within the available designed limits which follow below.

The Euro Modular system is 5 times stronger than conventional Euro cylinders.

**In the sections which follow**, 4 main types of cylinder will be shown, these are;

- 1; Euro Doubles [AKA Twins, Key-Key]
- 2; Euro Thumbturn [AKA Key and Turn]
- 3; Half Euro [AKA Single Euro]
- 4; Thumbturn Units

## Euro Double Cylinders

**Finish;** Satin Brushed Chrome [26]

**Material;** Machined Brass

**Format;** 5 pin Modular Type

**Part Number;** 32/32 ET -26 (Shown)

**Variants;** See Sizes Below;

Carbide Anti-drill, Special order

**Supplied with as standard;**

2 x Small format keys, to a random code

Key code card [for additional key ordering if required]

**Keying Options;**

**Keyed Alike;** where two or more Cylinders are pinned to the same pin combination

**Master Keyed;** as part of a Master Key suite, supplied with 2 differ keys

**Pinned;** Pinned to an existing combination, no keys required

## Euro Double Cylinders Cont'd

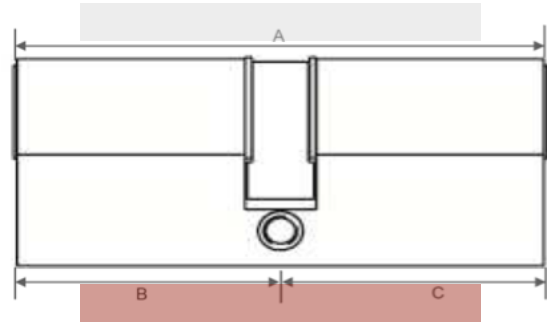
### Technical Dimensions

A	B and C						
64	32:32						
69	32:37						
74	32:42	37:37					
79	32:47	37:42					
84	32:52	37:47	42:42				
89	32:57	37:52	42:47				
94	32:62	37:57	42:52	47:47			
99	32:67	37:62	42:57	47:52			
104	32:72	37:67	42:62	47:57	52:52		
109	32:77	37:72	42:67	47:62	52:57		
114	32:82	37:77	42:72	47:67	52:62	57:57	
119	32:87	37:82	42:77	47:72	52:67	57:62	
124	32:92	37:87	42:82	47:77	52:72	57:67	62:62
129	37:92	42:87	47:82	52:77	57:72	62:67	
134	42:92	47:87	52:82	57:77	62:72	67:67	
139	47:92	52:87	62:82	62:77	72:72		
144	52:92	57:87	62:82	67:77	72:72		
149	57:92	62:87	67:82	72:77			
154	62:92	67:87	72:82	77:77			
159	67:92	72:87	77:82				
164	72:92	77:87	82:82				
169	77:92	82:87					
174	82:92	87:87					
179	87:92						
184	92:92						

**A** = the overall length

**B** = the key unit length one side

**C** = the key unit length the other side



In the table opposite; select size "A" then select which permutation is required "B/C"

## Euro Thumbturn Cylinders

**Finish;** Satin Brushed Chrome [26]

**Material;** Machined Brass

**Format;** 5 pin Modular Type

**Part Number;** 32/32 ETT -26 (Shown)

**Variants;** See **Size Chart** Below

**Also Known As;** Key & Thumbturn;

**Supplied with as standard;**

2 x Small format keys, to a random code

Key code card [for additional key ordering if required]

**Keying Options;**

**Keyed Alike;** where two or more Cylinders are pinned to the same pin combination

**Master Keyed;** as part of a Master Key suite, supplied with 2 differ keys

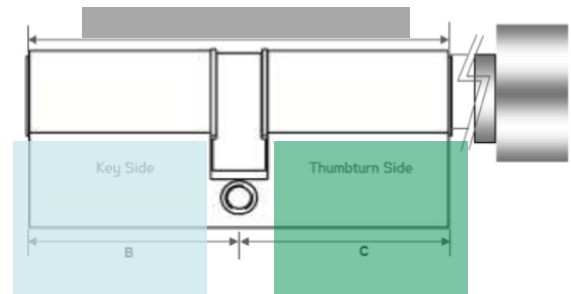
**Pinned;** Pinned to an existing combination, no keys required

## Euro Thumbturn Cylinders Cont'd

### Technical Dimensions

The **Size Chart** below shows the sizes available; first select the key unit size required, then the Thumbturn size which will show the resulting overall length.

		Thumbturn Side C											
Size mm	32	37	42	47	52	57	62	67	72	77	82	87	
Key Unit Side B	32	64	69	74	79	84	89	94	99	104	109	114	119
	37	69	74	79	84	89	94	99	104	109	114	119	124
	42	74	79	84	89	94	99	104	109	114	119	124	129
	47	79	84	89	94	99	104	109	114	119	124	129	134
	52	84	89	94	99	104	109	114	119	124	129	134	139
	57	89	94	99	104	109	114	119	124	129	134	139	144
	62	94	99	104	109	114	119	124	129	134	139	144	149
	67	99	104	109	114	119	124	129	134	139	144	149	154
	72	104	109	114	119	124	129	134	139	144	149	154	159
	77	109	114	119	124	129	134	139	144	149	154	159	164
	82	114	119	124	129	134	139	144	149	154	159	164	169
	87	119	124	129	134	139	144	149	154	159	164	169	174



## Half Euro Cylinders

**Finish;** Satin Brushed Chrome [26]

**Material;** Machined Brass

**Format;** 5 pin Modular Type

**Part Number;** 42SE -26 (Shown)

**Variants;** See Sizes Below.

Carbide Anti-drill Inserts, Special Order

**Also Known As;** Single Euro; Half Euro

**Supplied with as standard;**

2 x Small format keys, to a random code

Key code card [for additional key ordering if required]

**Keying Options;**

**Keyed Alike;** where two or more Cylinders are pinned to the same pin combination

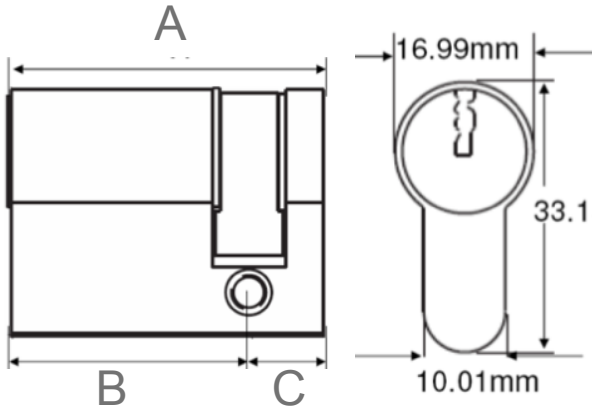
**Master Keyed;** as part of a Master Key suite, supplied with 2 differ keys

**Pinned;** Pinned to an existing combination, no keys req



## Half Euro Cylinders Cont'd

### Technical Dimensions



A	B	C
42mm	32mm	10mm
47mm	37mm	10mm
52mm	42mm	10mm
57mm	47mm	10mm
62mm	52mm	10mm
67mm	57mm	10mm
72mm	62mm	10mm
77mm	67mm	10mm
82mm	72mm	10mm
87mm	77mm	10mm

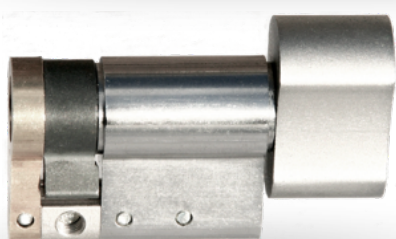
**A** = the overall length **B** = the key unit length **C** = the cam support length

## Thumbturn Cylinder Units

The Euro Thumbturn Units can be used in any Euro profile lock case where key access from the opposite side of the door is not required. The Units provide a Thumbturn knob to operate a lock with a quick turn.

Being based on Euro Modular components allows any size to be assembled within the designed limits. (See size chart above for Half Euro's)

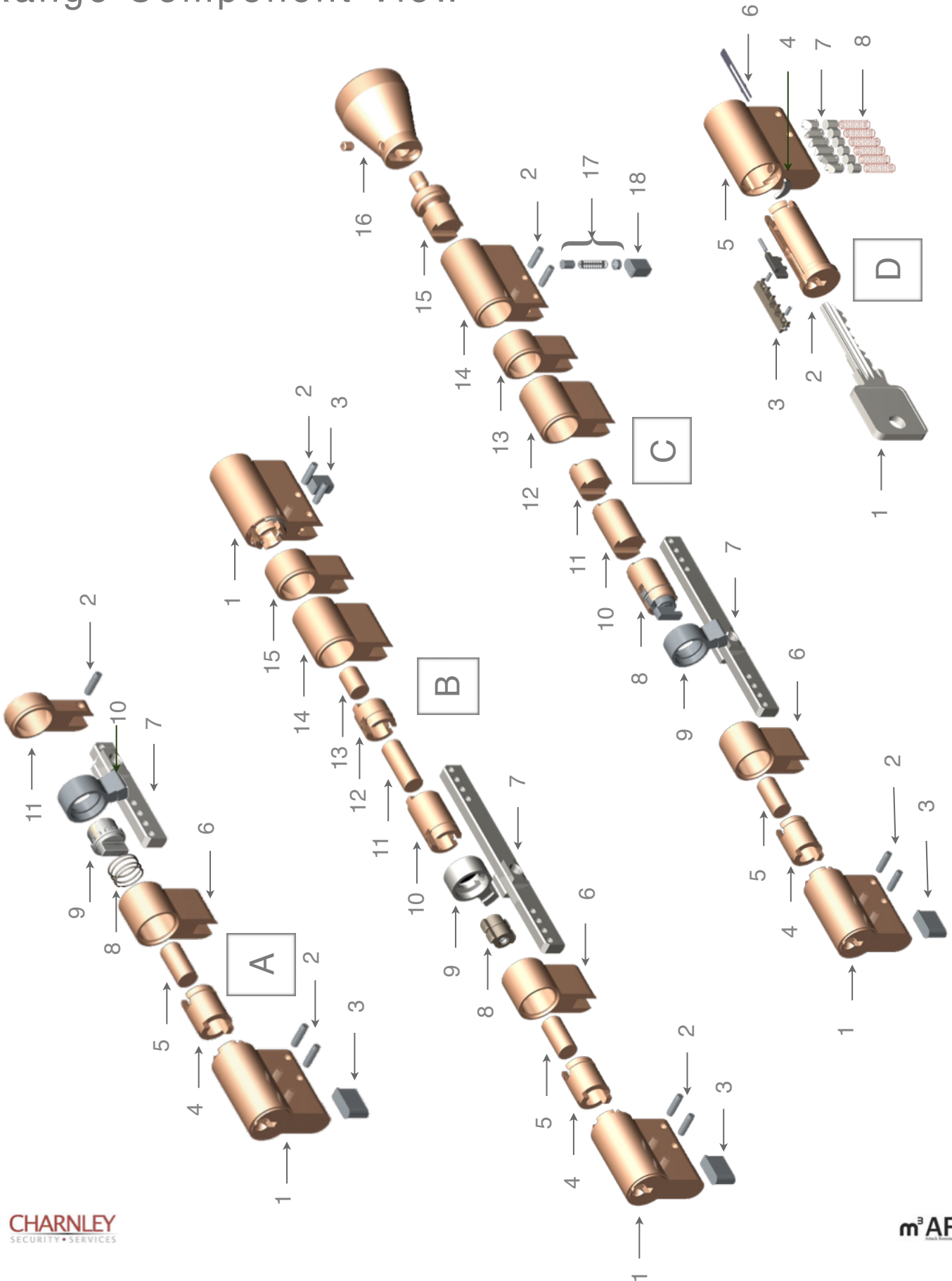
The Cams, like the Half Euro's, are multi-position and can be set to one of twelve positions



The long and the short of it...

Seen Opposite here, an 87mm Unit above a 42mm Unit. Sizes are available from 42mm in 5mm increments up to 87mm.

## Range Component View





# Euro Profile Modular Range

## Modular Euro Cylinders

### A; 52/10mm [62mm] Half Euro Modular Cylinder

1. Assembled Key Module (37mm)
2. Groove Pins (Fixing Pins)
3. Bar Filler (No. 65)
4. Plug Extension (15mm)
5. Clutch Extension (15mm)
6. Euro Shell Extension (15mm)
7. Connecting Bar (Spine)
8. Actuator Spring
9. Cam Actuator (Multi-position)
10. Cam (Multi-position)
11. Euro Shell End Piece

### B; 52/67mm [119mm] Offset Euro Modular Double Cylinder

1. Assembled Key Module (37mm)
2. Groove Pins ( Fixing Pins)
3. Bar Filler (No.65)
4. Plug Extension (15mm)
5. Clutch Extension (15mm)
6. Euro Shell Extension (15mm)
7. Connecting Bar (Spine)
8. Clutch Piece
9. Double Cylinder Cam
10. Plug Extension (20mm)
11. Clutch Extension (20mm)
12. Plug Extension (10mm)
13. Clutch Extension (10mm)
14. Euro Shell Extension (20mm)
15. Euro Shell Extension (10mm)

### Component View Parts List

#### C; 52/67mm [119mm] Offset Euro Modular Thumbturn Cylinder

1. Assembled Key Module (37mm)
2. Groove Pins (Fixing Pins)
3. Bar Filler (No.65)
4. Plug Extension (15mm)
5. Clutch Extension (15mm)
6. Euro Shell Extension (15mm)
7. Thumbturn Cam
8. Clutch Cartridge Assembly
9. Connecting Bar (Spine)
10. Thumbturn Extension Piece (20mm)
11. Thumbturn Extension Piece (10mm)
12. Euro Shell Extension (20mm)
13. Euro Shell Extension (10mm)
14. Euro Thumbturn Module (37mm)
15. Thumbturn Drive Shaft
16. Thumbturn Knob (Options Available)
17. Shaft retaining Assembly
18. Bar Filler (No.55)

#### D; 37mm Euro Key Module

1. M3 ARX Key
2. Cylinder Core (plug)
3. Sidebar and Slider
4. Anti-Drill Segment
5. Modular Shell
6. Spring clip
7. Pin Sets (Tumblers)
8. Pin Springs

**Finish;** Painted

**Material;** Solid Stainless Steel

**Format;** 5 pin

**Part Number;** G8R-8-SS-PL (Shown)

**Variants;** See Sizes Below

Carbide Anti-drill inserts, special order

**Use;** Harsh Climate applications etc.

**Supplied with as standard;**

2 x Small format keys, to a random code

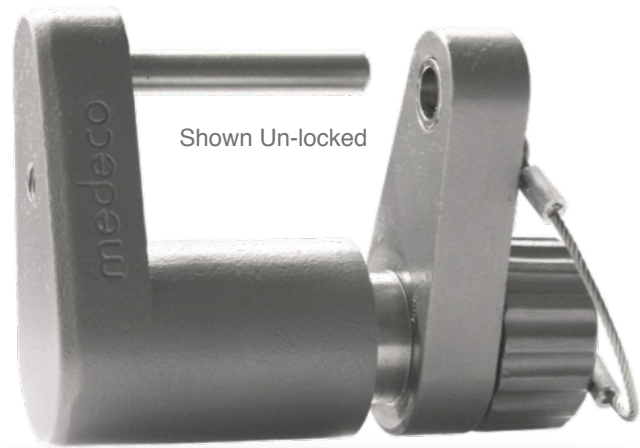
Key code card [for additional key ordering if required]

**Keying Options;**

**Keyed Alike;** where two or more Padlocks are pinned to the same pin combination

**Master Keyed;** as part of a Master Key suite, supplied with 2 differ keys

**Pinned;** Pinned to an existing combination, no keys required

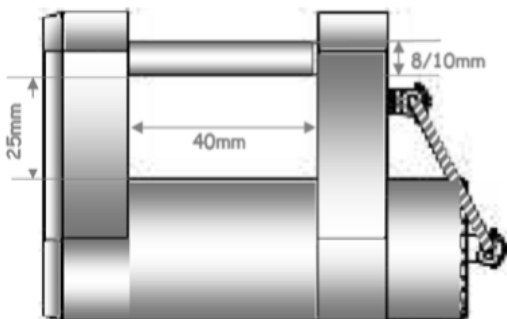


Shown here with the optional screw dust cap

(C/W **Optional** Dust cap/Cover plate)

Shown here with the optional cover plate fixed

## Technical Dimensions



## Options

These padlocks have a unique opening action, (shown above) and can be key retaining or push to lock [no key required]. The shackle is a fixed single-pin, 8 or 11mm in diameter/ Hardened Steel or Stainless Steel.



The **G8R Key unit** shown opposite can be supplied as a separate item to swap out an existing one when key compromise occurs.

# “Puck” Padlock

16

**Finish;** Black Powder Coated

**Material;** Solid Hardened Steel

**Format;** 5 pin

**Part Number;** Puck -001 (Shown)

**Type;** Concealed Single Pin Padlock

Carbide Anti-drill inserts; special order

**Supplied with as standard;**

2 x Small format keys, to a random code

Key code card [for additional key ordering if required]

**Keying Options;**

**Keyed Alike;** where two or more Padlocks are pinned to the same pin combination

**Master Keyed;** as part of a Master Key suite, supplied with 2 differ keys

**Pinned;** Pinned to an existing combination, no keys required



Rear View



Front View

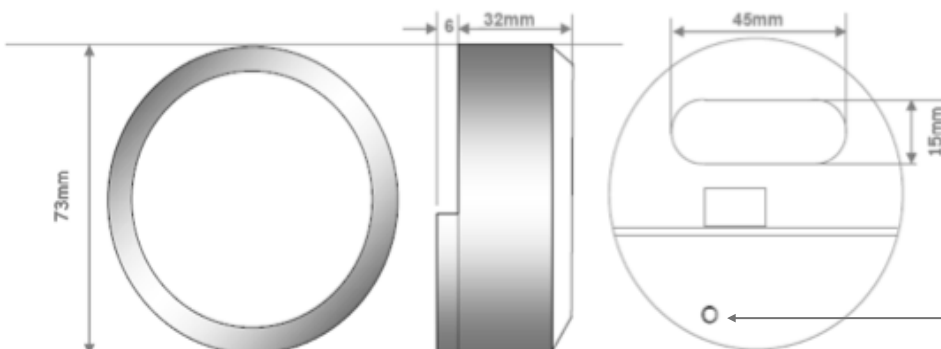


## Options



Puck Key Unit

## Technical Dimensions



Puck Key Unit Removal Screw

The Puck Key unit (Shown above) can be supplied as a separate item to swap out an existing one when key compromise occurs.

## A bit about Squire Stronghold Padlocks.

The padlock bodies are made from a solid dedicated ingot of Steel, then Hardened. Each padlock incorporates pockets in each leg the shackle into which the double-ball-bearing locking engages, which vastly increases their resistance to physical attack.

Solid Stainless Steel versions of these padlocks are available, some of which are shown below

### Traditional Padlocks Types



SS65-SS-ARX



SS65CS-SS-ARX



SS65CS-ARX



SS50-ARX

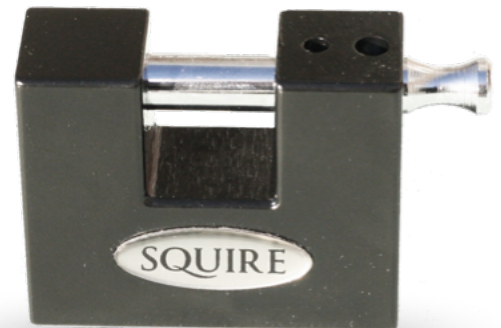


SS50-8-ARX

### Sliding-bolt Padlocks Types



WS50-ARX



WS75S-ARX

**Finish;** Black electrophoresis/Stainless Steel

**Material;** Solid Hardened Steel/Stainless Steel

**Format;** 5 pin

**Shackle;** Boron-alloy Hardened Steel/Stainless Steel

Carbide Anti-drill inserts special order

**Keying Options;**

**Keyed Alike;** where two or more Padlocks are pinned to the same pin combination

**Master Keyed;** as part of a Master Key suite, supplied with 2 differ keys

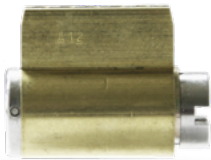
**Pinned;** Pinned to an existing combination, no keys required

**Supplied with as standard;**

2 x Small format keys, to a random code

Key code card [for additional key ordering if required]

SQK - 001



Supplied with as standard;

2 x Small format keys, to a random code

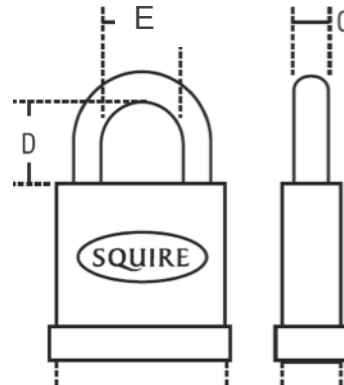
Key code card [for additional key ordering if required]

Keyed Alike; Pinned no keys; Master Keyed.

The ARX Key Unit can be supplied separately.

## Technical Dimensions

SS50/65 Range				
Padlock	C	D	E	Cen Rating
SS50-OS-ARX-8	8mm	26mm	24mm	3
SS50-OS-ARX-10	10mm	26mm	22mm	4
SS50-OS-ARX- 10L	10mm	65mm	22mm	4
SS50-CS-ARX-8	8mm	16mm	24mm	3
SS50-CS-ARX-10	10mm	16mm	16mm	4
SS65-OS-ARX-13L*	*12.7mm	65mm	29.5mm	5
SS65-OS-ARX-13*	*12.7mm	29mm	29.5mm	5
SS65-CS-ARX-13*	*12.7mm	19mm	19mm	6



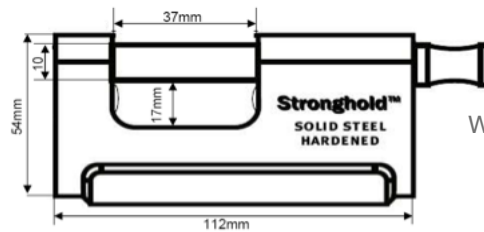
SS Range

## Pad-Bars (Hasp & Staples)

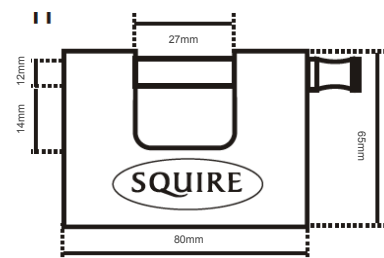


STH1/2 Pad-bar

(STH1 – Cen Standard 6; STH2 - Cen Standard 4)



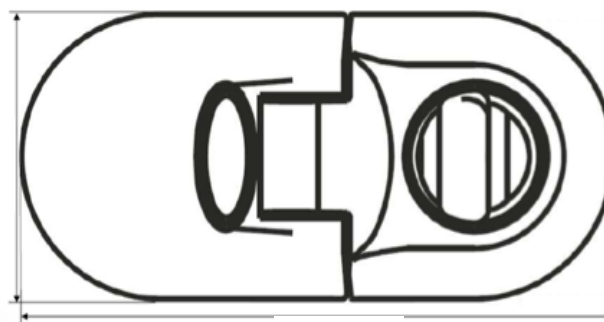
WS50- ARX - 10



WS75- ARX - 12



86mm



STH1/2 Pad-bar

184mm

The Pad Bars are made from a special hardened casting; the padlock Eye is designed to rotate, helping resist forced attack; most suited to the SS65 range of padlocks

## Cam-locks

**Finish;** Satin Brushed Chrome [26]

**Material;** Machined Brass

**Format;** 5 pin

**Part Number;** XX XX -26

**Variants;** See Sizes Below

Carbide Anti-drill Inserts, Special Order

**Supplied with as standard;**

2 x Small format keys, to a random code

Key code card [for additional key ordering if required]

**Keying Options;**

**Keyed Alike;** where two or more Cylinders are pinned to the same pin combination

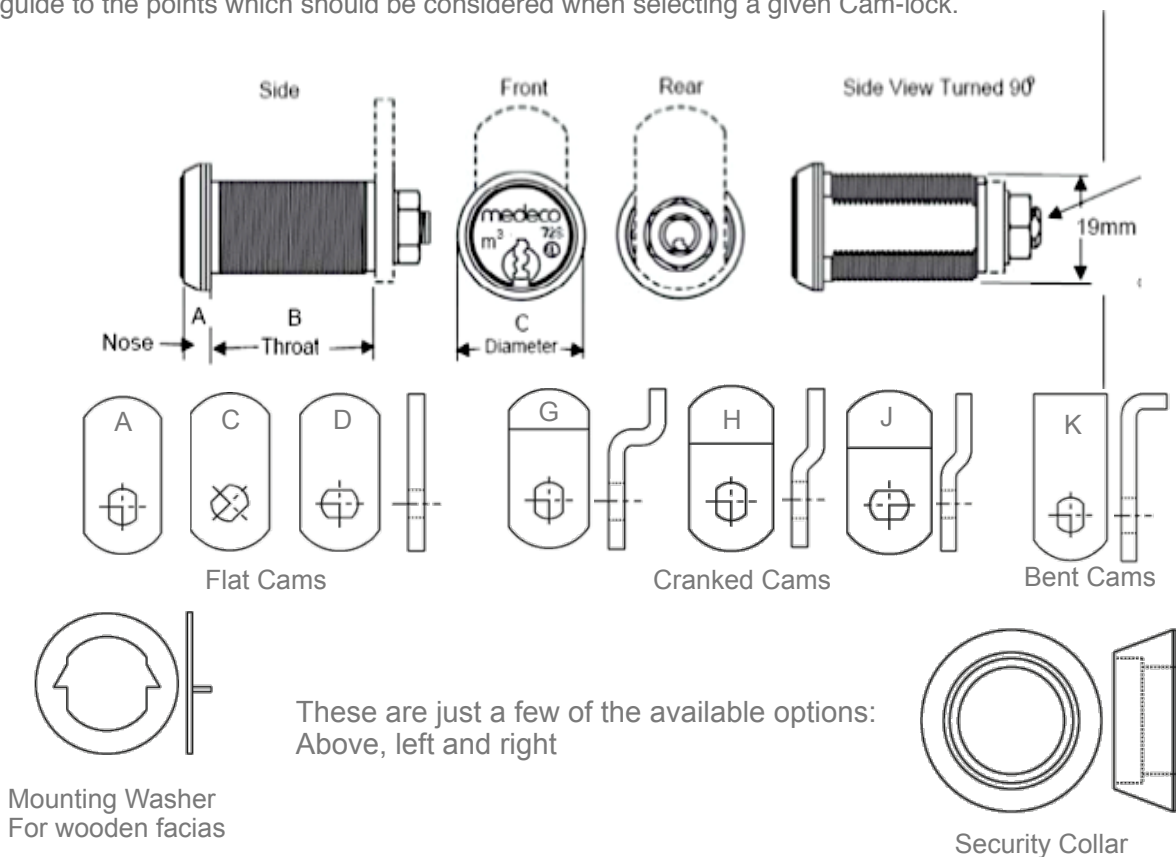
**Master Keyed;** as part of a Master Key suite, supplied with 2 differ keys

**Pinned;** Pinned to an existing combination, no keys required



## Technical Information

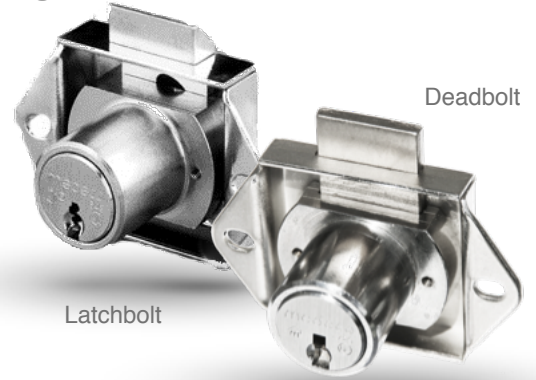
**A bit about Camlocks;** It is only possible to give an overview of the Cam-lock range within the scope of this document; a separate Cam-lock brochure is available containing more detailed information. Below is guide to the points which should be considered when selecting a given Cam-lock.



## Cupboard/Draw locks



Deadbolt



Latchbolt

Deadbolt

### Technical Dimensions

**Finish;** Satin Brushed Chrome [26]

**Material;** Machined Brass

**Format;** 4/5 pin

**Part Number;** XX XX -26

**Variants;** Latch/deadbolt

Carbide Anti-drill Inserts, Special Order

**Supplied with as standard;**

2 x Small format keys, to a random code

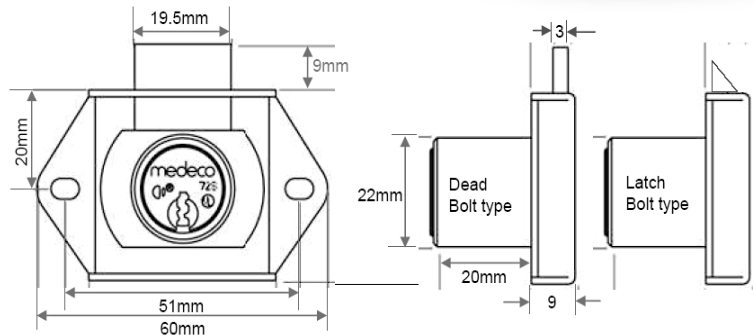
Key code card [for additional key ordering if required]

**Keying Options;**

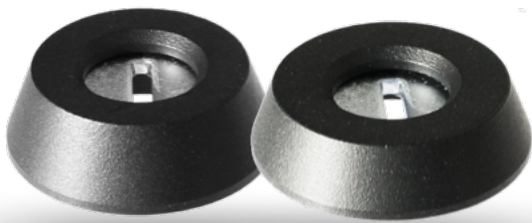
**Keyed Alike;** where two or more Locks are pinned to the same pin combination

**Master Keyed;** as part of a Master Key suite, supplied with 2 differ keys

**Pinned;** Pinned to an existing combination, no keys required



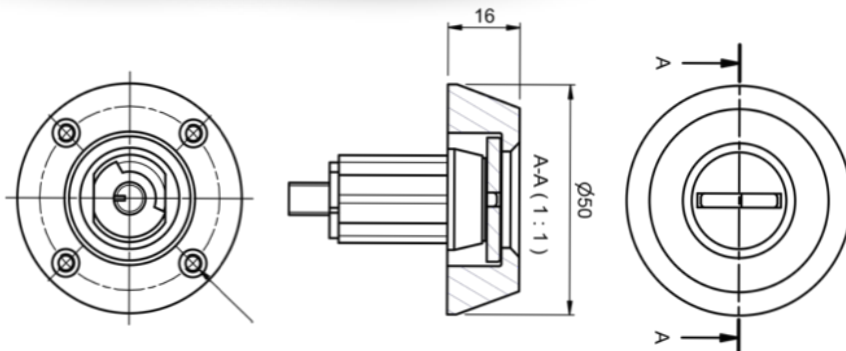
### 60 Series Protection



Below and opposite shows additional physical protection for 60 Series Self Contained locks; (that's Cam-locks, Switch locks, Cupboard/Cabinet/Draw locks etc).



Cam-lock in situ



Made from Hardened Steel with an internal rotating manganese disc. This provides additional anti-drill and physical protection.

## Switch-locks

**Finish;** Satin Brushed Chrome [26]

**Material;** Machined Brass

**Format;** 5 pin Double “D” mounting

**Part Number;** 65T2150T-011-26 (Shown)

**Variants;** Single/Double switch

Carbide Anti-drill Inserts, Special Order

**Supplied with as standard;**

2 x Small format keys, to a random code

Key code card [for additional key ordering if required]

**Keying Options;**

**Keyed Alike;** where two or more Locks are pinned to the same pin combination

**Master Keyed;** as part of a Master Key suite, supplied with 2 differ keys

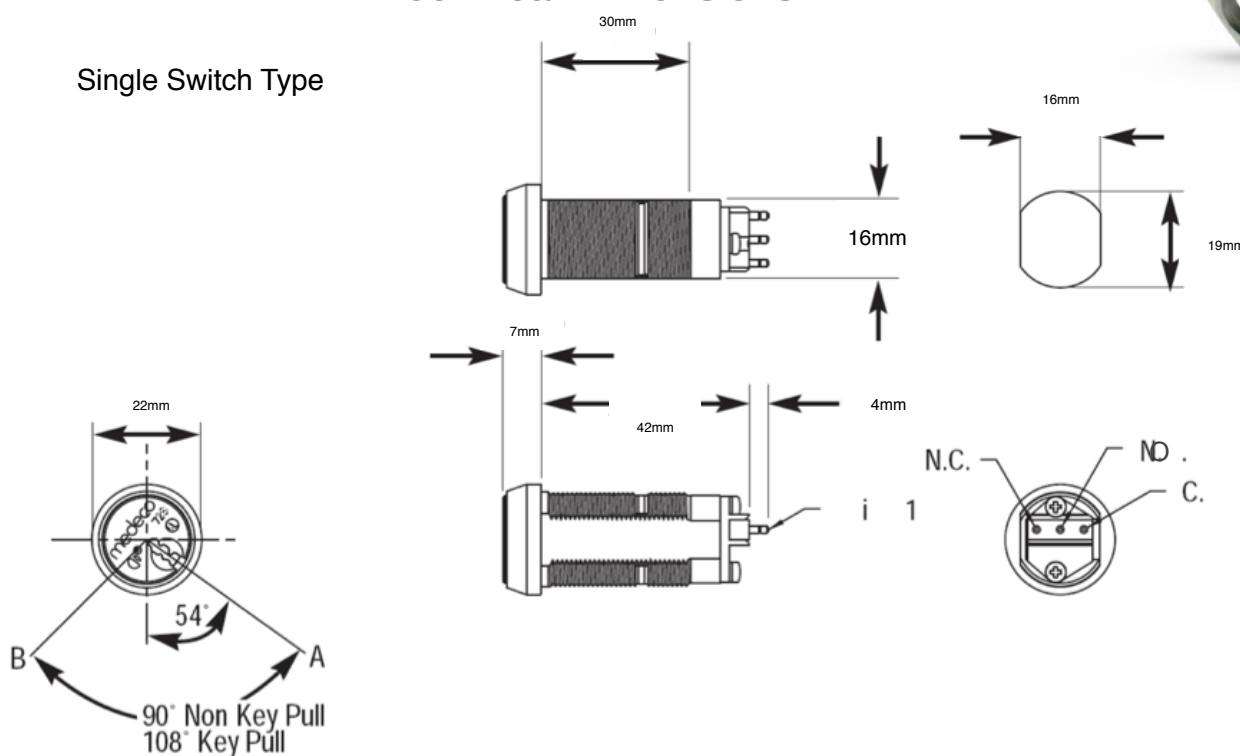
**Pinned;** Pinned to an existing combination, no keys required



The Switch-locks are based on a 19mm double “D” cut-out. This section is only intended as an overview, a dedicated document is available containing more detailed information.

Below shows the most common format of Key-switch; C/W connecting wires (shown above) and fixing nut

### Technical Dimensions



Part#	Position A	Position B	Position C
65*2150T-011	Switch 1 - N.C.	Switch 1 - N.O.	n/a
65*2150T-012	Switch 1 - N.C.	Switch 1 - N.O.	n/a
65*2150T-021	Switch 1 - N.C.	Switch 1 - N.O.	n/a



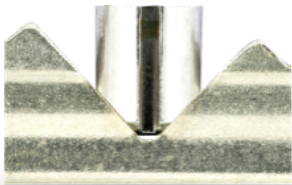
**m<sup>3</sup>ARX** Keys are 3.3mm thick and must be the strongest on the market today. They are made from the finest blend of nickel silver to provide excellent durability.

**m<sup>3</sup>ARX** Keys are cut as originals, meaning they are not trace cut; they are cut to code



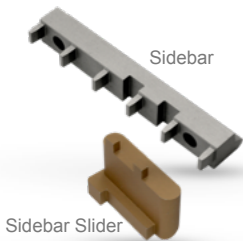
Shown here is a key from the side and above to illustrate how the key may look ordinary from the side, but seen from above shows the angled cuts which is what makes **m<sup>3</sup>ARX** so special

There's more.....

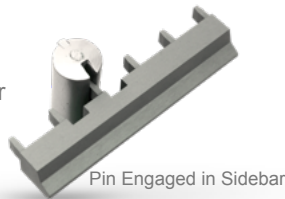


This image shows a section of key and how the pin sits in the key cut; notice the bottom of the pin does not touch the bottom of the 'V' cut. The pin actually wedges itself on the slopes of the cut thus largely eliminating problems with pin wear.

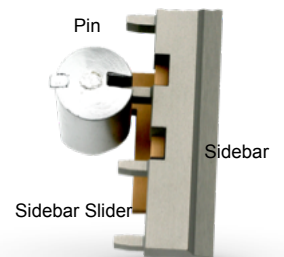
## Triple Locking Action



The Sidebar blocks the cylinder from turning; it must engage with the pins to clear that blocking action. The Slider also blocks the Sidebar and must be positioned correctly by the key aligning the pins with the notches



Shown on the right, is the triple locking action where all 3 elements align to allow the cylinder to operate correctly; the Pin sets, the Slider; the Sidebar.



Supplied with Standard (non-Master keyed) Product



As Standard; your cylinder product would arrive with 2 keys and code card shown opposite. The code on the card is unique and is required when obtaining additional keys

For More detailed information on **m<sup>3</sup>ARX** please see the "Why ARX?" Cut Sheets

